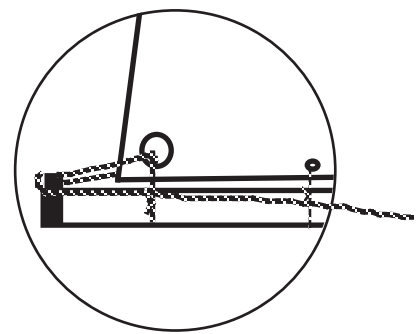


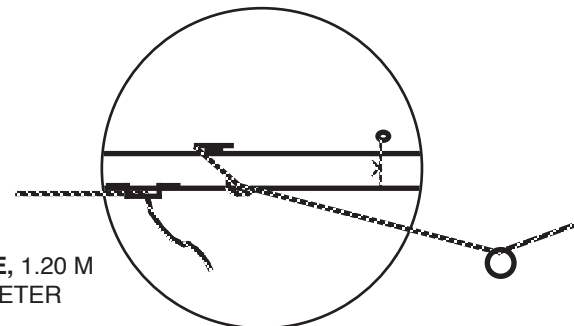
SETTING UP YOUR **OPTIPARTS**TM STANDARD OPTIMIST RIG

ALL KNOTS YOU NEED, TO
SETUP YOUR OPTIPARTS
STANDARD RIG ARE SHOWN ON
THE OTHER SIDE OF THIS PAGE

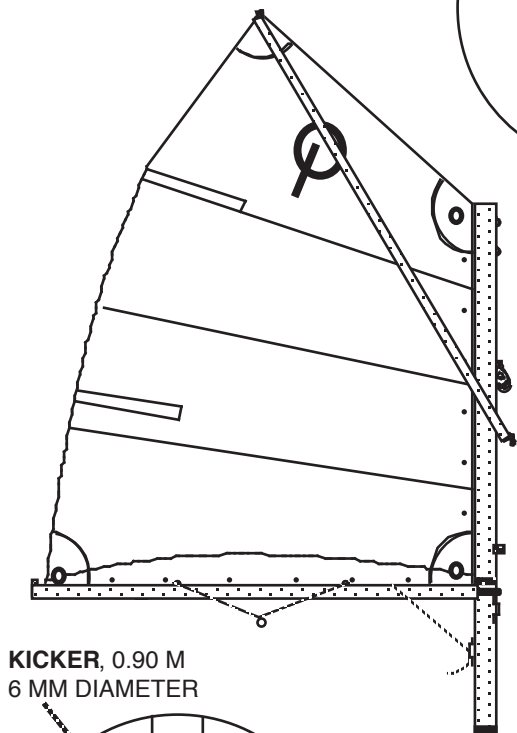
CLEW, PUT A FIGURE EIGHT KNOT BEHIND THE BOOM OUTER END, PASS THE OUTHHAUL THROUGH THE CLEW RING IN THE SAIL, BACK THROUGH THE OUTER END, AND THROUGH THE CLEAT.



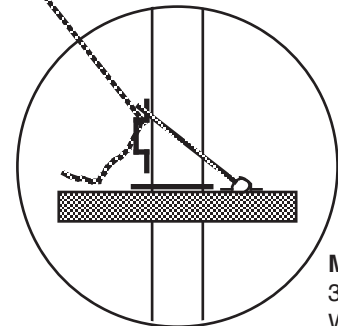
OUTHHAULE, 1.20 M
4 MM DIAMETER



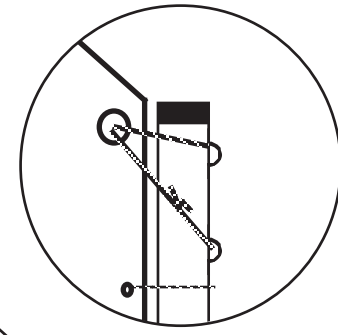
BRIDLE, 1.42 M, 3 MM DIAMETER WITH STAINLESS STEEL RING FOR MAINSHEET. ATTACH THE BRIDLE TO THE BOOM WITH A BOWLINE KNOT. ATTACH THE MAINSHEET BLOCK TO THE RING WITH A SHACKLE.



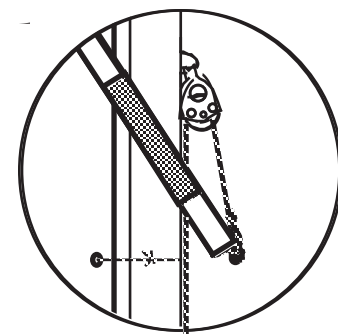
KICKER, 0.90 M
6 MM DIAMETER



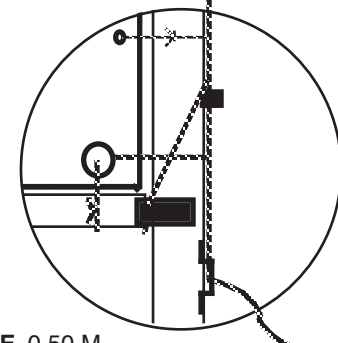
MAST LOCKING DEVICE, 0.50 M
3 MM DIAMETER. ATTACH TO EYE ON DECK WITH REEF KNOT. THIS LINE SHOULD BE PASSED AROUND THE MAST AND OVER THE KICKER CLEAT WHILE SAILING.



THROAT, ATTACH LACING LINES WITH REEF KNOTS



HALYARD, 1.65 M
6 MM DIAMETER
ATTACH TO SPRIT WITH BOWLINE KNOT



TACK, ATTACH LACING LINES WITH REEF KNOTS

BOOM LIFT, 0.40 M, 3 MM DIAMETER. ATTACH TO THE HOLES IN THE BOOM INNER END WITH TWO FIGURE EIGHT KNOTS